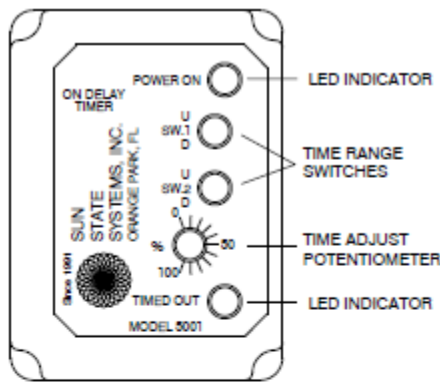




500# SERIES: ON DELAY TIMERS

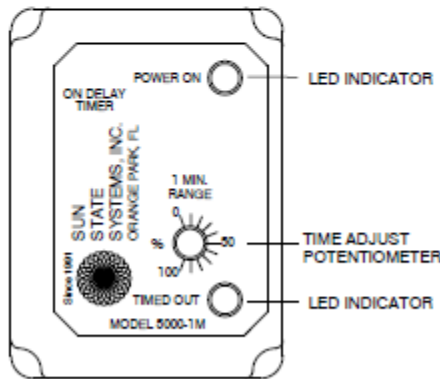
PRODUCT DESCRIPTION

The 500# series products are all On Delay Timers with various features. Both 2PDT and 3PDT (with or without instantaneous contact) models are available.



ACTUAL SIZE

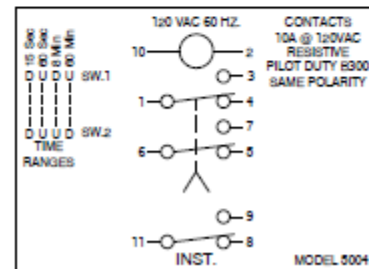
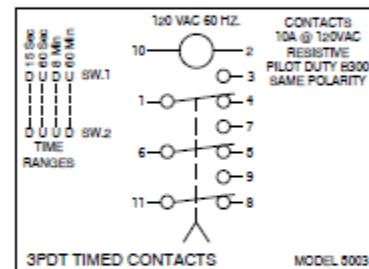
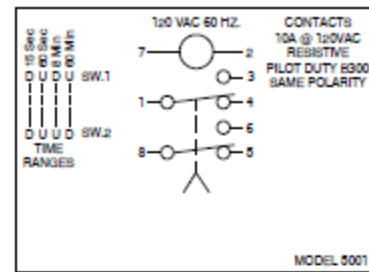
MODELS 5001, 5003, 5004 = 4 RANGES TO 60 MIN.



ACTUAL SIZE

MODELS 5000-1M, 5000-10M, 5000-1H

1 MIN 10 MIN 1 HR



MODEL 5004 HAS DPDT TIMED CONTACTS & SPDT INSTANTANEOUS CONTACTS

SPECIFICATIONS

CONTROL VOLTAGE: 120 VAC, 60 HZ, .020 A.
 CONTACTS RATED AT 10 AMPS, 120 VAC RESISTIVE
 200 VA. 120 VAC INDUCTIVE
 PLUGS INTO STANDARD OCTAL SOCKET
 MODELS 5003 & 5004 PLUG INTO 11 PIN SOCKET

MODELS	Range(s)
5000-1M	1 Minute
5000-10M	10 Minutes
5000-1H	1 Hour
5001	15 & 60 Sec. 8 & 60 Min.
5003	
5004	

