



MODEL 3030: PUMP TRAKKER

PRODUCT DESCRIPTION

The Model 3030 Pump Trakker tracks pump Seal Fail, Over-temp, and Overload conditions. It is universally configurable on all pumps regardless of manufacturer.

TO RESET OVERTEMP WHEN IN “MANUAL”:

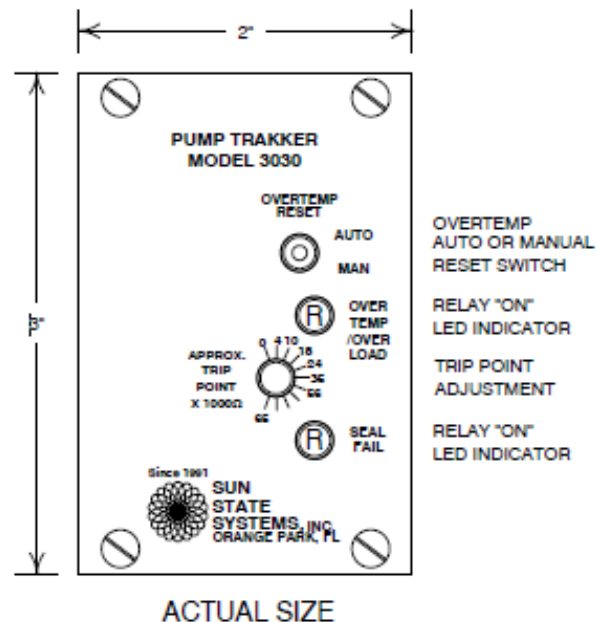
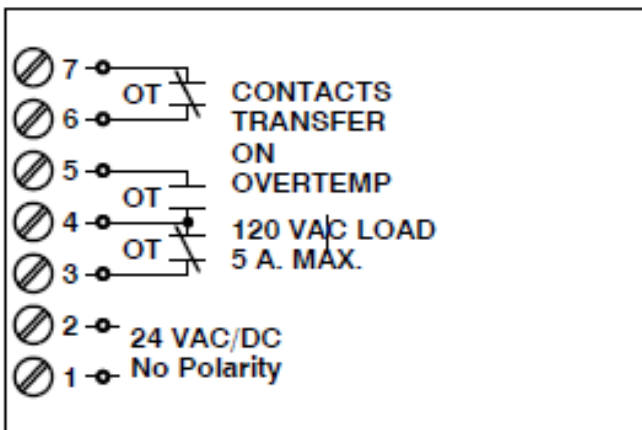
Move switch to “Auto” and back to “Manual”

TO SET “SEAL FAIL” TRIP POINT:

With probes connected, turn pot from full counter clock wise slowly clockwise until LED turns on. The LED will now turn on when probe resistance falls below trip point.

SPECIFICATIONS

- ◆ CONTROL VOLTAGE: 24VAC/DC, 1.6VA, 68mA MAX
- ◆ PROBE VOLTAGE: 24VDC
- ◆ TRIP ADJUST RANGE: 1K TO 65K
- ◆ OPERATING TEMPERATURE: +14° F TO 140°F
- ◆ SWITCH TO SELECT AUTO OR MANUAL OVERTEMP RESET CAN BE WIRED FOR N.C. OR N.O. OVERTEMP CONTACT.
- ◆ CONTACTS RATED AT 5 AMPS, 120VAC
- ◆ PLUGGABLE TERMINALS ON BACK





MODEL 3030 (OT & OL): PUMP TRAKKER

